



**The Zareba Touchpoint 1 controller provides 24 hour protection from flammable, toxic or oxygen gas hazards.**

# Touchpoint 1 controller



## User Friendly

- Self contained, wall mounted enclosure
- Ultra-clear backlit display
- Built-in audiovisual alarms
- Intuitive menu system
- Simple push button operation

## Easy to Install

- Unobtrusive slimline profile
- Mounting bracket included
- Easy access to all terminals
- Pre-formed knockouts in gland plate

## Comprehensive Operation

- 3 wire mV bridge, 2 and 3 wire 4-20mA inputs
- AC and/or DC operation
- 2 x alarm relays
- 1 x system fault relay
- Repeated 4-20mA signal

## Flexible Operation

- Fully user programmable for scale, units and calibration
- Relays configurable as energized, de-energized, latching or non-latching
- Compatible with all Zareba Sensepoint gas detectors

**The Zareba Touchpoint 1 controller when used with any one of the Sensepoint range of gas detectors provides 24 hour protection from flammable, toxic or oxygen gas hazards. With executive outputs to shutdown process equipment or drive warning devices the Touchpoint 1 is ideal for continuous monitoring of small remote sites where it is inappropriate or costly to monitor the area from a central location.**



The shallow profile is designed for convenient location in corridors or reception areas where some larger controllers may be obtrusive. A wall mounting bracket is included to which the controller is attached, thereby simplifying installation. All cable entries are made via a gland plate at the bottom of the enclosure which includes pre-defined knockouts to minimize risk of damaging the connection terminals. The hinged front cover latches open to enable full and unhindered access to the terminal compartment for installers.

AC and/or DC driven, the Touchpoint 1 includes built-in audiovisual alarms, two programmable alarm relays and a system fault relay as well as an isolated 4-20mA output proportional to the input from the field device. The system is fully user programmable via the ultra-clear backlit LCD and intuitive menu system. For example, relays may be configured as 'non-latching' (default is 'latching') so that outputs clear automatically on remote unmanned sites. Buttons used for configuration are hidden behind an access panel to prevent tampering. A single button is available to all users on the front of the controller to perform a simple self-test or to reset alarms if needed.

Event history is recorded as standard on all Touchpoint systems. Times and dates of alarms, power on or off, can be reviewed via the display to provide useful diagnostic information for service engineers and plant operators.

A Zareba gas detection system is designed to offer a total solution for your gas monitoring needs. Manufactured to the highest quality standards, you are assured of being surrounded by gas detection equipment you can trust.

# Installation Details



## Installation Details

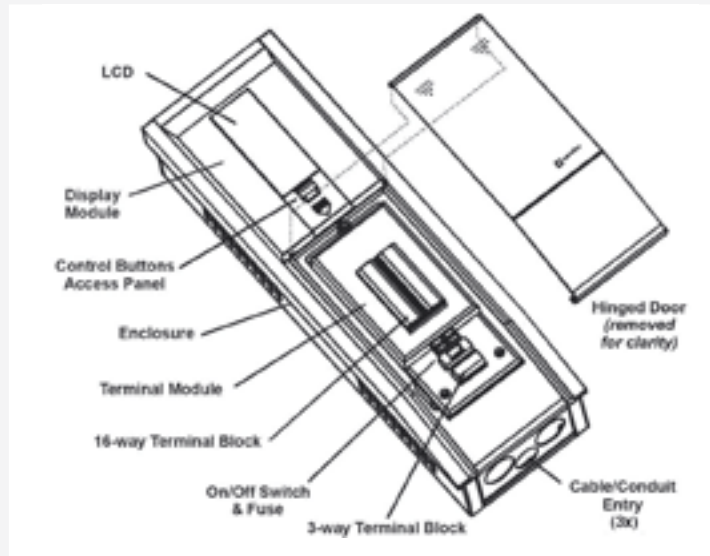
Touchpoint 1 is designed for use in safe areas. Electrical installation should follow national guidelines using suitably approved cable and glands (M20 or 3/4"NPT) or conduit (3/4"NPT). Screened 0.5mm<sup>2</sup> (20AWG) to 2.5mm<sup>2</sup> (14AWG) cross sectional area cable should be used where appropriate to minimize unwanted effects from RF sources.

The Touchpoint 1 controller is designed to offer easy and convenient installation. The wall mounting bracket provided serves as a drilling template and enables the controller to be mounted without assistance.

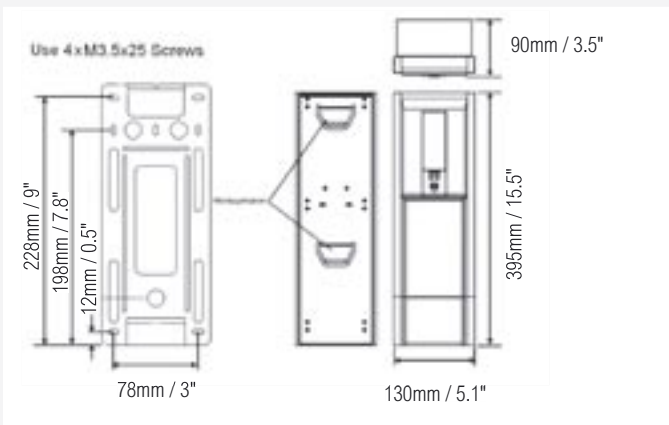
The hinged terminal cover can be latched open to provide free and unhindered access to all terminals with plenty of space for all wiring.

The pre-formed knockouts in the base are sized for both M20 and 3/4"NPT fittings enabling cable glands or conduit to be used during installation.

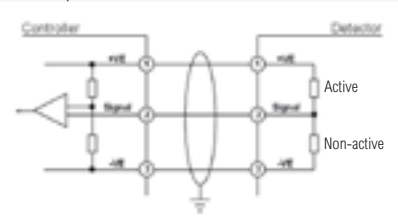
## System Highlights



## Dimensions

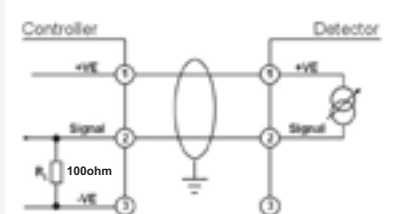


### Sensepoint Flammable

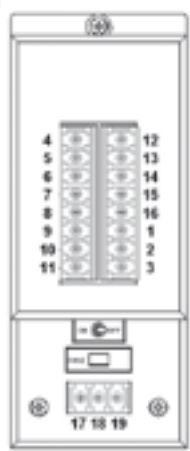


Max cable loop resistance 330ohms

### Sensepoint Toxic & Oxygen



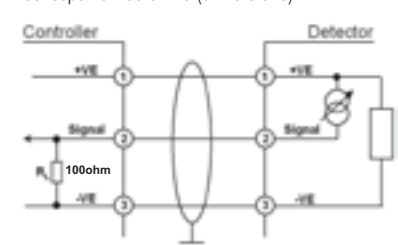
### Terminal Layout



### Connections

1	+VE	Detector Connections
2	SIGNAL	
3	-VE	
4	NO	Alarm Relay 1
5	C	
6	NC	
7	NO	Fault Relay
8	C	
9	NC	
10	DC+	DC Supply 18-32VDC
11	DC-	
12	NO	Alarm Relay 2
13	C	
14	NC	
15	+VE	Isolated 4-20mA Output
16	-VE	
17	(L)ive	AC Supply 85-265Vac 50/60Hz
18	(N)eutral	
19	(E)arth	

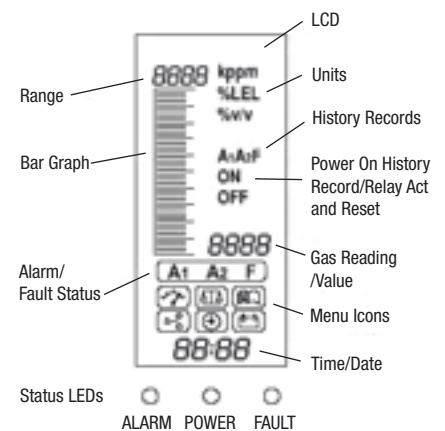
### Sensepoint Plus & Pro (all versions)



# Ordering Information



General Specification			
<b>Use</b>	Wall mounted single channel control panel for the local annunciation of gas hazards as detected by the Zareba range of Sensepoint gas detectors. Suitable for small scale, indoor installations requiring a self contained gas detection and control system		
<b>User interface</b>			
<b>Operation</b>	Single 'Test/Accept/Reset' push button for normal use. Three further hidden push buttons for configuration via intuitive menu system		
<b>Backlit Display</b>	Gas type, measuring range, units of measure, digital gas reading, bar graph display 0-100%FSD, alarm set point indicator, alarm activated indicator, power status indicator and system status indicator		
<b>Other Indication</b>	Three ultra-bright LEDs indicating alarm (red), power (green) and fault (amber) status		
<b>Audible Alarm</b>	85dBA at 1m / 90dBA at 1 foot, user hush facility, re-activated on new event		
<b>Termination</b>	Accessed via hinged front cover (latch to hold open as required). All cable/conduit entry via pre-formed knockouts in gland plate at bottom of controller. Screw terminals suitable for use with 0.5mm <sup>2</sup> (20AWG) to 2.5mm <sup>2</sup> (14AWG) wires. Crimped connection recommended		
<b>Environmental</b>			
<b>IP Rating</b>	Indoor use, IP44 in accordance with EN60529:1992		
<b>Weight</b>	2.5Kg / 5.5lbs (approx.)		
<b>Operating Temp Range</b>	-10°C to +40°C / 14°F to 104°F Intermittent to +50°C / 122°F		
<b>Operating Humidity Range</b>	10 to 90%RH (non condensing)		
<b>Operating Pressure Range</b>	90-110kPa		
<b>Storage</b>	-40°C to +80°C / -40°F to +176°F, 20 to 80%RH (non condensing)		
<b>Inputs</b>			
<b>Supply</b>	85-265Vac, 50/60Hz auto-sensing 18-32Vdc Maximum power = 30Wac / 15Wdc		
<b>Detector Type</b>	3 wire mV bridge E.g. Sensepoint flammable gas detectors	2 wire, 4-20mA, loop powered E.g. Sensepoint toxic and Oxygen gas detectors	3 wire, 4-20mA, source output E.g. Sensepoint Plus and Sensepoint Pro flammable, toxic and Oxygen gas detectors
<b>Detector Supply</b>	mV Bridge Input Module Constant current supply: 200mA Self regulating supply voltage subject to cable resistance Maximum loop resistance: 18 Ohms	mA Input Module Maximum detector current supply: 500mA Minimum guaranteed supply voltage from the controller: 18Vdc Input impedance: 100 Ohms	
<b>Outputs</b>			
<b>Relays</b>	Alarm 1	Alarm 2	Fault
<b>Rating</b>	SPCO / 3A, 240VAC (non inductive load)	SPCO / 3A, 240VAC (non inductive load)	SPCO / 3A, 240VAC (non inductive load)
<b>Default Setting</b>	Latching Normally de-energized Energize on alarm Factory setting 20%FSD	Latching Normally de-energized Energize on alarm Factory setting 40%FSD	Latching Normally energized De-energize on fault or loss of power
<b>User Configurable Options</b>	Latching/non-latching Energized/de-energized Rising/falling (Oxygen) Trip point 10-90%FSD	Latching/non-latching Energized/de-energized Rising/falling (Oxygen) Trip point 10-90%FSD	Latching/non-latching Energized/de-energized



# Installation Details



## Ordering Information

<b>TPWM1110</b>	Single channel system with mA input module
<b>TPWM1101</b>	Single channel system with mV input module

## For Reference Only

Detector	Gas Type	No. Wires	Input Module Required
Signalpoint	Flammable	3	mV
	Toxic	2	mA
Sensepoint	Flammable	3	mV
	Toxic	2	mA
Sensepoint Plus	Flammable	3	mA
	Toxic	3	mA
Sensepoint Pro	Flammable	3	mA
	Toxic	3	mA

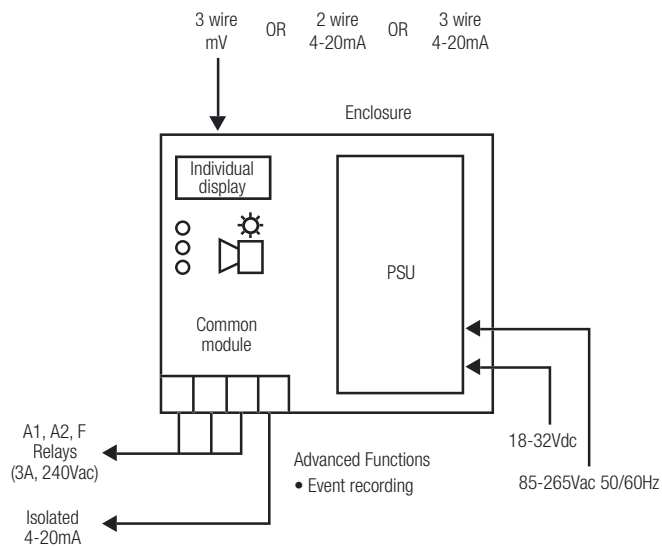
## Standard Supply

Each Touchpoint controller is supplied complete with mounting bracket, instruction manual and configured mV or mA input module with factory default settings

## Shipping Details

Shipping carton dimensions: L446mm (17.6") x W207mm (8.1") x D183mm (7.2")  
Approximate weight: 2.8Kg (6.2lbs)

## System Overview



As World leaders in gas detection solutions, Honeywell Analytics' Zareba range of gas detection systems has been designed to provide efficient, practical and cost-effective equipment to protect people from a variety of forms of hazardous gas. The equipment is also simple to install and easy to operate and maintain.

## The Zareba range of fixed gas detection



**Sensepoint**



**Sensepoint Plus**



**Sensepoint Pro**



**Touchpoint 1**



**Touchpoint 4**

### Sensepoint range

Designed for industrial use, the Sensepoint range provides an easy way of ensuring legislative requirements are met.

### Touchpoint

Designed for industrial use, the Touchpoint range provides an easy way of ensuring legislative requirements are met. It is particularly suited where a number of small, discrete, stand-alone systems are required.



**Metro**



**Metro controller**

### Find out more

[www.honeywellanalytics.com](http://www.honeywellanalytics.com)

### Customer business centre

#### Europe and the rest of the world

Honeywell Analytics AG

Wilstrasse 11-U11

CH-8610 Uster

Switzerland

Tel: +41 (0)44 943 4300

Fax: +41 (0)44 943 4398

[sales@zelana.co.uk](mailto:sales@zelana.co.uk)

### Customer business center

#### Americas

Honeywell Analytics Distribution, Inc.

400 Sawgrass Corporate Pkwy

Suite 100

Sunrise, FL 33325

USA

Tel: +1 954 514 2700

Toll free: +1 800 538 0363

Fax: +1 954 514 2784

[sales@zelana.com](mailto:sales@zelana.com)

[www.honeywell.com](http://www.honeywell.com)

### Metro

For commercial environments such as car parks, municipal buildings and retail facilities, Metro offers a fully programmable, addressable gas detection system.



**Unipoint**

Unipoint is a simple DIN rail mounted controller offering integrators a flexible and low cost solution to incorporate flammable, toxic or oxygen gas detection into their control systems. From car parks and boiler houses to analyzer shelters or crane cabs in offshore facilities.

### Please Note:

While every effort has been made to ensure accuracy in this publication, no responsibility can be accepted for errors or omissions. Data may change, as well as legislation, and you are strongly advised to obtain copies of the most recently issued regulations, standards, and guidelines. This publication is not intended to form the basis of a contract.  
© 2005 Honeywell Analytics

H\_Touchpoint1\_DS0324\_V1  
12/05  
© 2005 Honeywell Analytics

# Honeywell