

ONYXWorks®

Integrated Facilities Monitoring Network



Network Systems

General

ONYXWorks™ is the next generation in life safety and building systems integration for monitoring fire, security, card access, CCTV, and other facility information over a proprietary network. ONYXWorks is designed to allow a combination of different manufacturers, technologies, and networks to be operated on the same workstation. It features intelligent gateways to facilitate modular system integration, allowing continued expansion of workstation and network functions. These gateways add more flexibility when integrating building operations and communicating over a local Ethernet or wide-area TCP/IP network.

The ONYXWorks workstation is a high-performance industrial computer with text and color graphic display capability of all network events and points. The workstation uses Microsoft® Windows® XP, providing an easy-to-use graphical user interface. The operator is presented with a consistent look and operation for all monitored equipment. The ONYXWorks PC workstation has the ability to monitor multiple local device networks, remote sites, and is an ideal addition to the NOTI•FIRE•NET™ network when network monitoring and control are required.

Features

GENERAL

- Rack-mountable 2.16 GHz processor with 3.2 GB of RAM, a 19" widescreen monitor, two 160 GB hard drives (one master and one redundant drive), sound card, and speakers. Touchscreen option available.
- Operates on Microsoft Windows XP Professional SP2 (Service Pack 2).
- Supports up to 50 intelligent gateways.
- NOTI•FIRE•NET™ and Echelon® gateway redundancy for network survivability.
- Supports the following additional languages: Arabic, French, Korean, Portuguese, Spanish, and Chinese (Traditional and Simplified).
- Compatible with standard and High Speed NOTI•FIRE•NET™.

USER INTERFACE

- All off-normal events displayed simultaneously with text and corresponding graphic screens.
- Automatic screen navigation (selectable for each device) that locates and zooms to the device related to an alarm or event, based on the priority of the event.
- Dynamically generated floor plan overview.
- Floor plans can be zoomed in and out and devices can be placed at different zoom levels.
- Full linked multimedia (text, audio, video, and bitmaps) to any device, all definable by the administrator.
- Intuitive navigational tree and icons for easy access to building floorplans

EVENT NOTIFICATION AND RESPONSE

- Real-time event printing of system-wide events.
- Control of security and fire panels (extent of control determined by panel model).



7048cv/2009.jpg

- Operator log with response tracking.
- Alphanumeric paging and e-mail notification with configurable message format.
- History Manager records operator, event, and response (with time and date stamp) to disk.
- Up to 6 states can be visually represented for each input device: Normal, Trouble, Fire Alarm, Pre-Alarm (detectors), Disabled and Security.
- Intuitive paging feature supports voice paging for mass notification (NOTIFY-IP).

SYSTEM SETUP

- Graphic Editing mode allows on-site programming of floor plan screens, device icons, functional and navigational buttons.
- Import converted vector (.WMF) drawing files, bitmaps (.BMP), JPEG and .GIF files from existing CAD floor plan drawings.
- Graphics printing for floor plans and reports.
- Customizable device icon and colors to visually represent each event type.
- User defined icons can be added to the workstation (.PNG, .BMP, .WMF, .JPG, and .GIF formats).

SECURE ACCESS

- System Administrator-definable security, monitoring, and control profiles allow for extremely flexible definition of operator accounts.
- Operator Login/Logout/Change Password feature allows only authorized personnel to access the system.
- Logs in history of any operator changes in the workstation.

SYSTEM MAINTENANCE

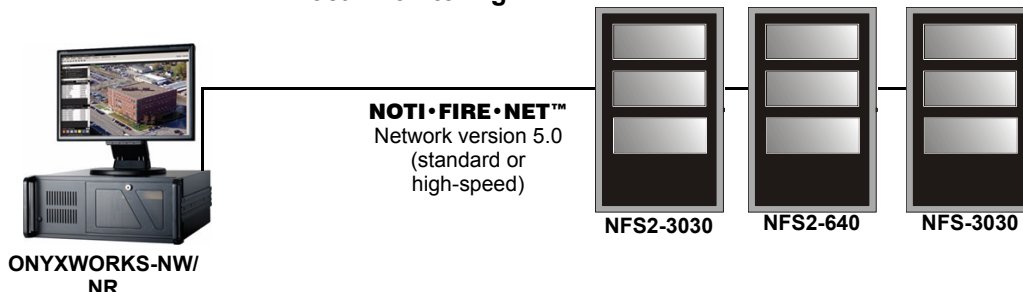
- Backup capability for screen, member, and history databases. All software is backed up on CD-RW.
- Obtain software version numbers for network panels (ONYX® Series fire panels, NCA-2, NCS, and NWS.)
- Upload/Download databases to NOTIFIER ONYX series panels and perform panel upgrades (ONYX Series only) over the network.
- Individual Enable/Disable or Group Enable/Disable points and zones on the NOTI•FIRE•NET™ network.

NOTI•FIRE•NET™ Monitoring

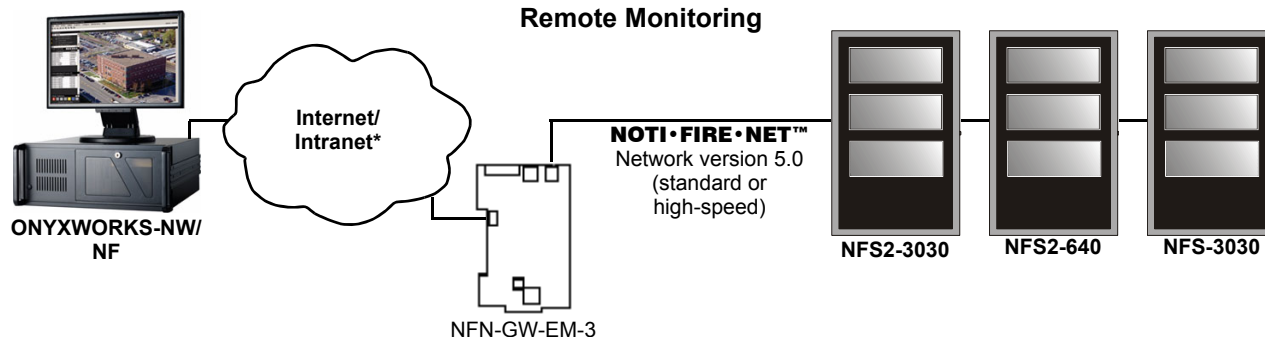
An ONYXWorks system is an ideal component of a Fire Command Center for real-time fire system status and system control options. ONYXWorks interfaces directly to a NOTI•FIRE•NET™ fire system using an NFN Gateway. The NFN Gateway is an intelligent interface used by an ONYXWorks system that facilitates monitoring and control of a NOTI•FIRE•NET (version 5.0) network and NOTIFIER fire panels. The NFN Gateway is available in two versions: PC-based gateway and embedded gateway (see NFN Gateway data sheet DN-7060). The embedded NFN Gateway enables users to monitor multiple sites (local or remote) over an IP network.

Minimum ONYXWorks equipment options/requirements are available on the NFN Gateway data sheet.

Local Monitoring



Remote Monitoring



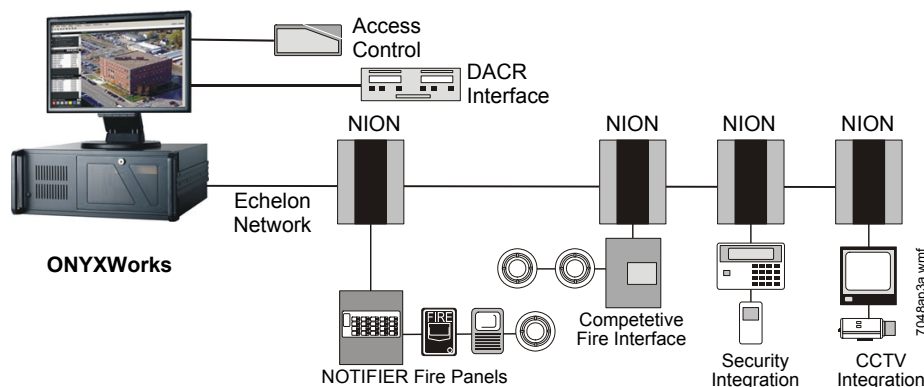
* A UL Listed ethernet (TCP/IP) switch is required between a shared-IP network and the ONYXWorks equipment. Contemporary Control Systems, Inc. (www.ctrlink.com) has several UL864 recognized switching hubs.

Building Systems Integration

In addition to NOTIFIER fire-only applications, the ONYXWorks Proprietary Supervising Station mode allows integration of competitive fire panels, CCTV, security, and access control into one graphical user interface. This mode allows for monitoring of local or remote (over shared IP or standard phone lines) building systems using an Echelon Gateway or Receivers Gateway. The Echelon Gateway communicates over a local or remote LonWorks network, which is a high-speed network technology that allows communication between field nodes and an ONYXWorks PC workstation.

Competitive fire panels and peripheral equipment connect to the network via serial communication (or direct connections) with NION@s (Network Input Output Nodes). NION modules provide the communication links between monitored equipment and the network. The Echelon Gateway is available as a PC-based gateway only (see Echelon Gateway data sheet DN-7059). The flexible ONYXWorks system can interface to and monitor events received by Ademco (685), Radionics (D6600), Silent Knight (9500, 9800), and Teldat VisorAlarm Central Station receivers (contact ID format only) by using the Receivers Gateway (see Receivers Gateway data sheet DN-7061)

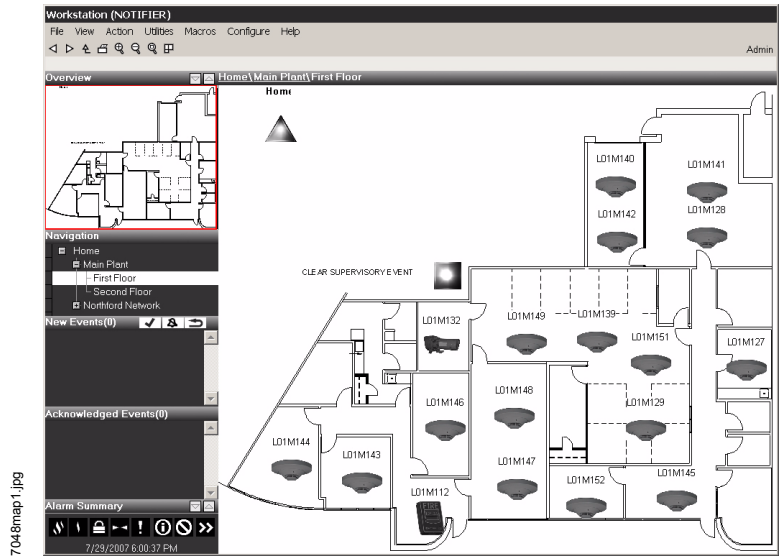
Total Integration Monitoring



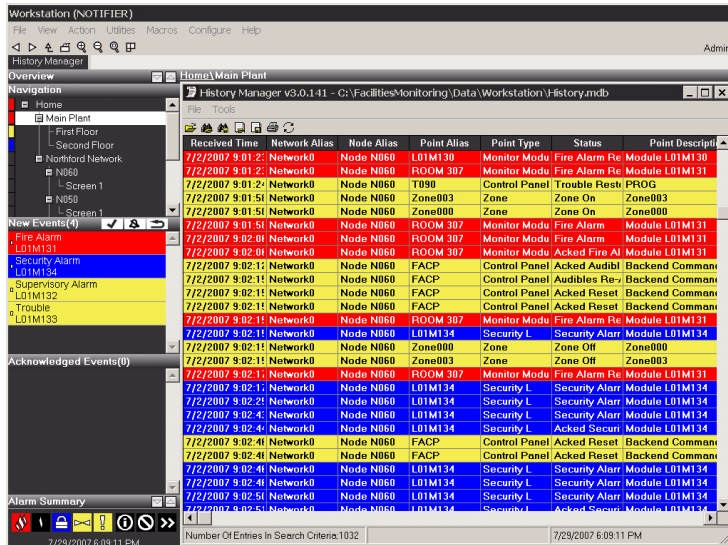
Specialized Client Applications

- ONYXWorks Workstation
- History Manager
- NetLogic

ONYXWorks Workstation Software



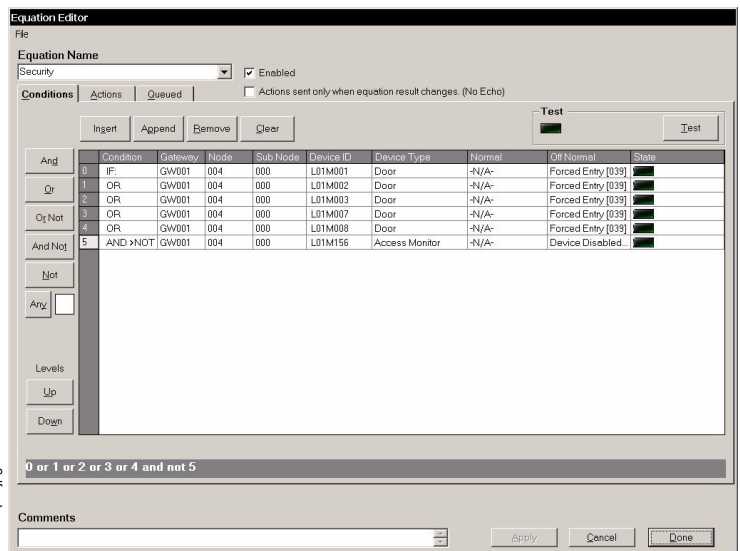
7048map1.jpg



7048his1.jpg

History Manager

NetLogic



7048eqed.jpg

Specifications

CPU Dimensions (desktop/rack mount unit): Width: 482 mm (19.0"). Depth: 450 mm (17.7"). Height: 177 mm (7.0"). Weight: 17.5 kg (39 lbs.).

CPU Electrical: AC Input: (frequency 47 Hz – 63 Hz), 9.0 A @ 115 V (95-132 V), 4.0 A @ 230 V (185-264 V).

Monitor Dimensions*: 19" Wide-screen LCD Color Monitor. Width: 17.3" (43.94 cm). Height: Adjustable from 13.25" (33.65 mm) to 15.25" (38.73 mm). Depth: 8.3" (210.8 mm). Weight: 10.1 lbs (4.58 kg).

**DIMENSIONS NOTE: Dimensions subject to change. Contact NOTIFIER for further information.*

MONITOR ELECTRICAL

AC Input: (frequency 50/60 Hz auto-adjust), 0.65A–0.3A @ 100–240 VAC. Power consumption: 42 watts (maximum).

ENVIRONMENTAL

Operating Temperature: 0°C to 49°C (32°F to 120°F).

Standards and Codes

ONYXWorks complies with the following UL Standards and NFPA 72 Fire Alarm Systems requirements:

- **UL 864** (Fire).
- **UL 294** (Access Control).
- **UL 1076** (Burglary).
- **UL 2017** (General Purpose Signaling).

Listings and Approvals

These listings and approvals apply to the modules specified in this document. In some cases, certain modules or applications may not be listed by certain approval agencies, or listing may be in process. Consult factory for latest listing status.

- **UL Listed:** S5526
- **ULC Listed:** S5526
- **CSFM:** 7300-1525:103
- **MEA:** 286-07-E (ONYXWORKS-NW, ONYXWORKS, NFN-GW-EM); 286-07-E Vol. 2 (NFN-GW-PC-F)
- **FDNY:** COA#6041

Ordering Information

WARRANTY: The PC and monitors are warranted from date of purchase for a period of 12 months. Please refer to the NOTIFIER Limited Warranty Policy for additional information.

ONYXWorks Workstation Components: ONYXWorks Workstation Graphics User Interface (GUI) software and hardware package. Includes UL-Listed rack mountable graphics PC with Intel® CORE 2 DUO 2.16 GHz, 3.2GB RAM, automatic redundant backup 160 GB hard disk, DVD-ROM/CD-RW, sound, optical mouse, keyboard, Ethernet ports, one GUI workstation software license, and software key. Includes UL-Listed 19" Widescreen LCD monitor with integrated speakers.

ONYXWORKS

ONYXWorks: Workstation only. Workstation GUI software and hardware package.

ONYXWORKS-NF: Workstation with NFN fiber PC card ONYXWorks workstation GUI software and hardware package for NOTI•FIRE•NET. Includes NFN Gateway (NFN-GW-PC-F) fiber version.

ONYXWORKS-NW: Workstation with NFN wire PC card. ONYXWorks workstation GUI software and hardware package

for NOTI•FIRE•NET. Includes NFN Gateway (NFN-GW-PC-W) wire version.

ONYXWORKS-EW:** Workstation with Echelon wire PC card ONYXWorks workstation GUI software and hardware package for Building Systems Integration, WSSUP Workstation Supervisor. Includes Echelon Gateway® (ECH-GW-PC-W) wire version.

ONYXWORKS WITH HS PC CARDS

ONYXWORKS-HNMF: Workstation with high-speed NFN multi-mode fiber card, ONYXWorks workstation GUI software, and hardware package for high-speed NOTI•FIRE•NET. Includes high-speed NFN Gateway (NFN-GW-PC-HNMF) multi-mode fiber version.

ONYXWORKS-HNSF: Workstation with high-speed NFN single-mode fiber card, ONYXWorks workstation GUI software, and hardware package for high-speed NOTI•FIRE•NET. Includes high-speed NFN Gateway (NFN-GW-PC-HNSF) single-mode fiber version.

ONYXWORKS-HNW: Workstation with high-speed NFN wire card, ONYXWorks workstation GUI software, and hardware package for high-speed NOTI•FIRE•NET. Includes high-speed NFN Gateway (NFN-GW-PC-HNW) wire version.

ONYXWORKS WITH TOUCH SCREEN

ONYXWORKS-TS: Workstation only. Workstation GUI software and hardware package including 19" widescreen LCD touchscreen monitor.

ONYXWORKS-NF-TS: Workstation with NFN fiber PC card. Workstation GUI software and hardware package for NOTI•FIRE•NET. Includes 19" widescreen LCD touchscreen monitor.

ONYXWORKS-NW-TS: Workstation with NFN wire PC card. Workstation GUI software and hardware package for NOTI•FIRE•NET. Includes 19" widescreen LCD touchscreen monitor.

ONYXWORKS-EW-TS: Workstation with Echelon wire PC card, workstation GUI software and hardware package for Building Systems Integration, WSSUP Workstation Supervisor. Includes 19" widescreen LCD touchscreen monitor.

ONYXWORKS-HNMFT: Workstation with high-speed NFN multi-mode fiber card, ONYXWorks workstation GUI software, and hardware package for high-speed NOTI•FIRE•NET. Includes UL-listed 19" widescreen LCD touchscreen monitor.

ONYXWORKS-HNSFT: Workstation with high-speed NFN single-mode fiber card, ONYXWorks workstation GUI software, and hardware package for high-speed NOTI•FIRE•NET. Includes UL-listed 19" widescreen LCD touchscreen monitor.

ONYXWORKS-HNWT: Workstation with high-speed NFN wire card, ONYXWorks workstation GUI software, and hardware package for high-speed NOTI•FIRE•NET. Includes UL-listed 19" widescreen LCD touchscreen monitor.

ONYXWORKS ADD-ON FEATURES AND REPLACEMENT PARTS

MON-19LCDW: UL-listed 19" widescreen LCD monitor with integrated speakers.

MON-19LCDW-TS: UL-listed 19" widescreen LCD touchscreen monitor with integrated speakers.

NFN-GW-PC-F: NFN Gateway PC card with fiber (included with ONYXWORKS-NF)*.

NFN-GW-PC-W: NFN Gateway PC card with wire (included with ONYXWORKS-NW)*.

ECH-GW-PC-W: Echelon Gateway PC card with wire (included with ONYXWORKS-EW)*.

NFN-GW-EM-3: NFN Gateway, embedded.

NFN-GW-PC-HNSF: High-speed NFN Gateway PC card for single-mode fiber (included with ONYXWORKS-HNSF).

NFN-GW-PC-HNMF: High-speed NFN Gateway PC card for multi-mode fiber (included with ONYXWORKS-HNMF).

NFN-GW-PC-HNW: High-speed NFN Gateway PC card for wire (included with ONYXWORKS-HNW).

DACR-GW:** Receivers Gateway (PC version)*.

CA-GW-WINPAK:** WinPAK PRO Card Access Gateway (PC version)*.

NOTIFY-IP: Mass notification voice paging; can page up to 50 NFN gateways simultaneously.

ONYX-NOTIFY: Adds e-mail option to ONYXWorks. E-mail notification requires an SMTP server or a web hosting service with SMTP service provided.

ONYX-PAGER: Alphanumeric pager interface option (requires an alphanumeric paging service).

****ORDERING NOTE:** *Authorized distribution only.*

NOTIFIER®, **VeriFire®**, **ONYXWorks®** and **NION®** are registered trademarks and **NOTIFIRE-NET™** is a trademark of Honeywell International Inc. **Echelon®** is a registered trademark and **LonWorks™** is a trademark of Echelon Corporation. **Microsoft®** and **Windows®** are registered trademarks of Microsoft Corporation. **Pentium®** and **Intel®** are registered trademarks of Intel Corporation.



This document is not intended to be used for installation purposes.
We try to keep our product information up-to-date and accurate.
We cannot cover all specific applications or anticipate all requirements.
All specifications are subject to change without notice.



For more information, contact Notifier. Phone: (203) 484-7161, FAX: (203) 484-7118.
www.notifier.com
